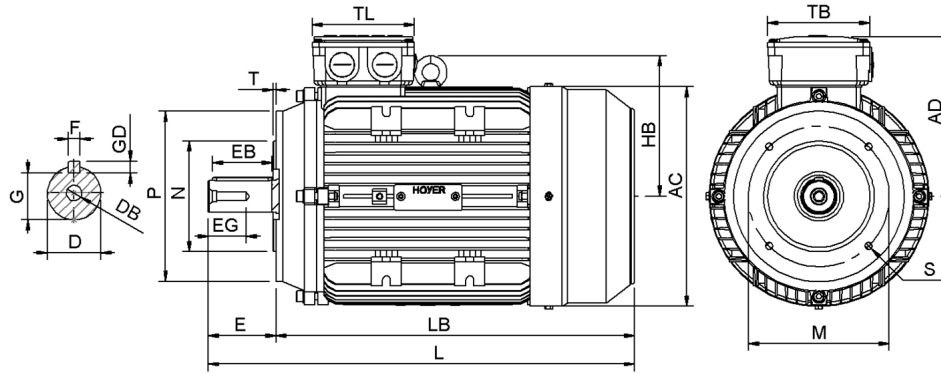


Data Sheet

Itemnumber....: 5540901309



AC = 175	DB = M8	EG = 24	GD = 7	M = 115	S = 4-M8	TL = 100
AD = 132	E = 50	F = 8	L = 362	N = 95	T = 3	
D = 24	EB = 40	G = 20	LB = 312	P = 140	TB = 100	

Version

Type.....: HMA3 90L-4
 Design.....: Induction motor
 Standard series.....: IEC 60034
 Phase / Voltage range.....: 3~ / Low

Electrical design

Efficiency.....: IE3
 Pole.....: 4
 Power at 50 Hz (kW).....: 1,50
 Hz.....: 50
 Voltage.....: 230VD/400VY
 Winding voltage.....: 230VD/400VY 50 Hz
 Power output (kW).....: 1,50
 Duty.....: S1
 Insulation class.....: F
 Temperature rise.....: B

Motor protection

Thermal protection main....: PTC 3x 155 dgr
 Thermal protection second.: None
 Space heater.....: None
 Temperature detector.....: No
 SPM.....: No
 IR wire.....: No
 Tropical insulation.....: No

Explosion protection

According to.....: None
 Type of protection.....: None

General

Direction of rotation.....: CW
 Painting.....: RAL 9005
 Nameplate.....: Multivoltage
 Special packing.....: No
 Special requirements.....: No

Mechanical design

Frame size.....: 90
 Mounting.....: B14
 B14 M measure.....: 115
 Rain cap.....: No
 Protection class.....: IP55
 Cooling method.....: IC411/TEFC
 External grounding.....: Yes
 Drain hole.....: Yes
 Frame material.....: Aluminium
 Material approval.....: None
 Shaft.....: IEC standard
 Key.....: Closed key
 Balancing.....: Half key balancing
 Vibration class.....: Grade-A
 Weight (kg).....: 21,6

Environment condition

Ambient temp. min. (°C)..: -20
 Ambient temp. max. (°C)..: 40
 Altitude (mtr up to)....: 1000

Bearing

DE Bearing.....: 6205-ZZ/C3
 NDE Bearing.....: 6205-ZZ/C3
 Fixed bearing.....: DE

Terminal box

Tbox position.....: Top
 Cable entry direction.....: Right (from DE)
 Cable entry
 Main.....: 2 x M20x1,5
 Plastic blindcaps
 Accessory.....: NA
 Terminal board thread.....: 6-M4

Test values

Rotor inertia (kgm²).....: 0,0049
 Noise level (dB(A)).....: 54
 No load current (A).....: 2,20
 Winding resist. (ohm).....: 2,12
 Starting time (sec.).....: 0,03
 Temp. rise winding (K).....: 44
 Temp. rise surface (K).....: 36

Rated power (kW)	1,36
Frequency (Hz)	60
Voltage (V)	220 380
Connection	D Y
Full load current (A)	5,70 3,25
Speed (rpm)	1730
Power factor cos(phi)	0,77
Efficiency, 100/75/50 (%)	83,8/ 83,5 /80,7
Ist/In	6,70
Full load torque (Nm)	7,50
Tst/Tn	2,34
Tmax/Tn	2,46
Duty	S1
Ambient temp. (°C)	40